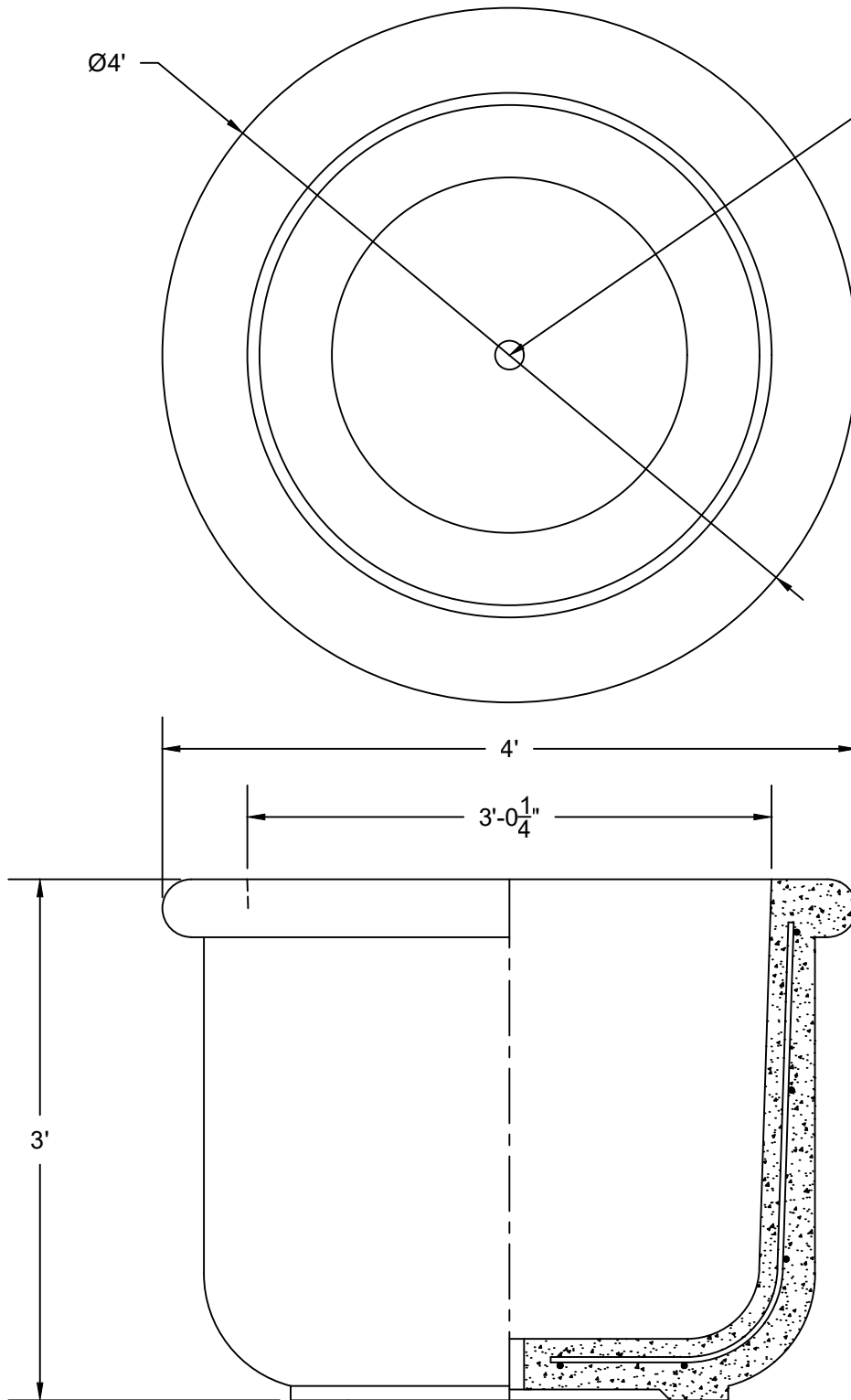


Ø4'

2" DRAIN HOLE



** CONTRACTOR TO VERIFY ALL DIMENSIONS

GEORGIA PRECAST SOLUTIONS

1324 Southern Road Morrow, GA 30260
Phone: (770)-960-6797 (770) 960.6779

MODEL:
FAYETTEVILLE ROUND

SIZE:
48 X 36

DWN BY: GGG
DATE: 01/22/2017