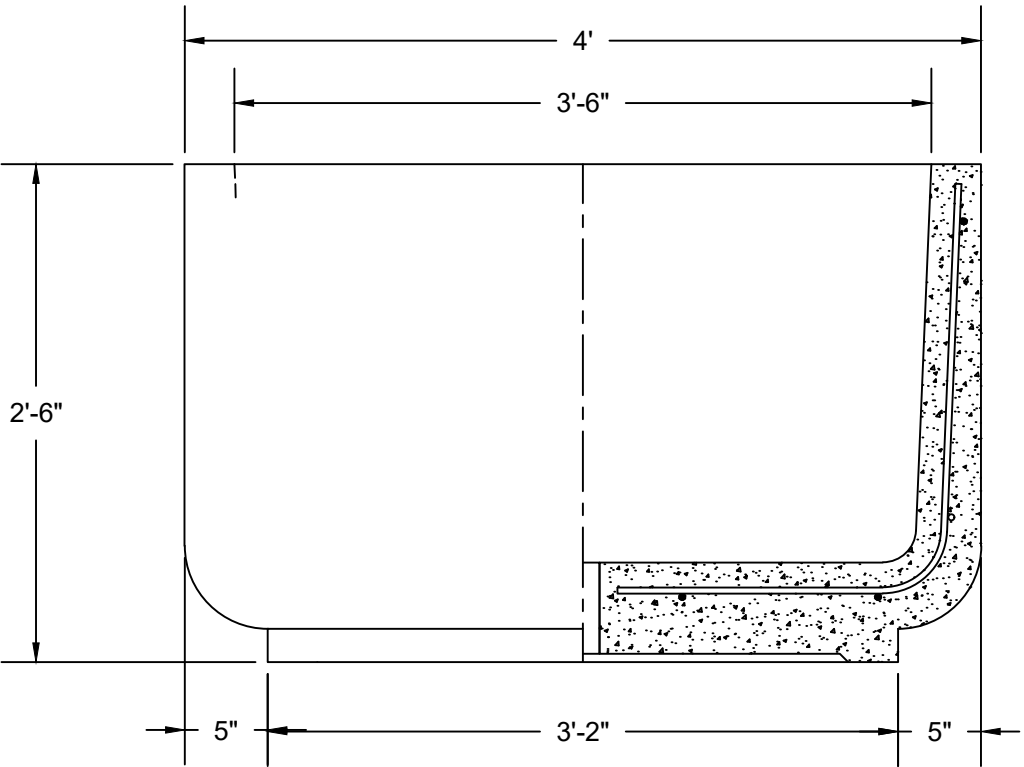


2" DRAIN HOLE



\*\* CONTRACTOR TO VERIFY ALL DIMENSIONS

**GEORGIA PRECAST SOLUTIONS**

1324 Southern Road Morrow, GA 30260  
 Phone: 770-960-6797 Fax: 770-960-6779

MODEL:  
 TRADITIONAL SQUARE

SIZE:  
 48 X 30

DWN BY: GGG  
 DATE: 01/22/2017