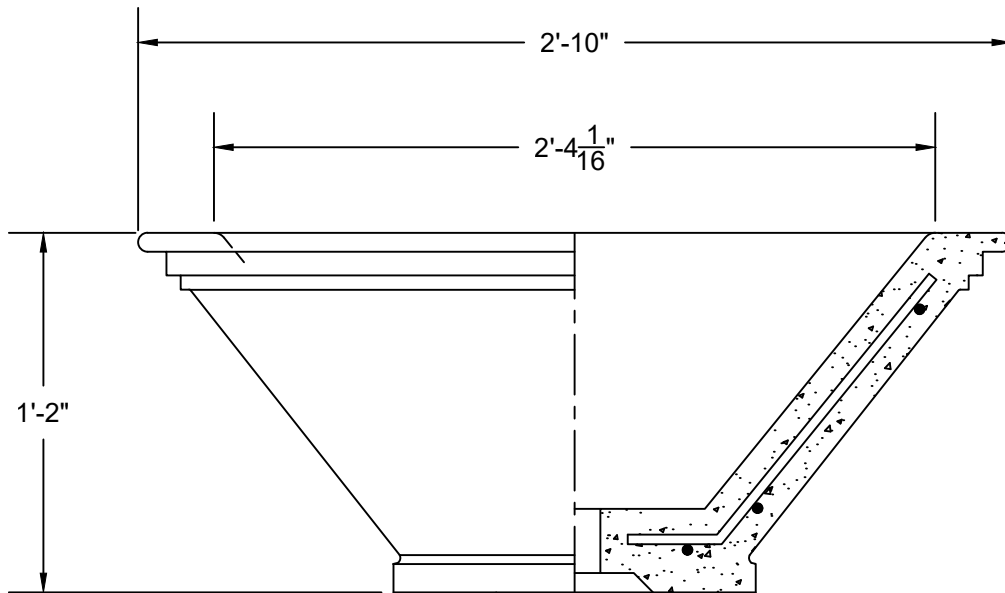
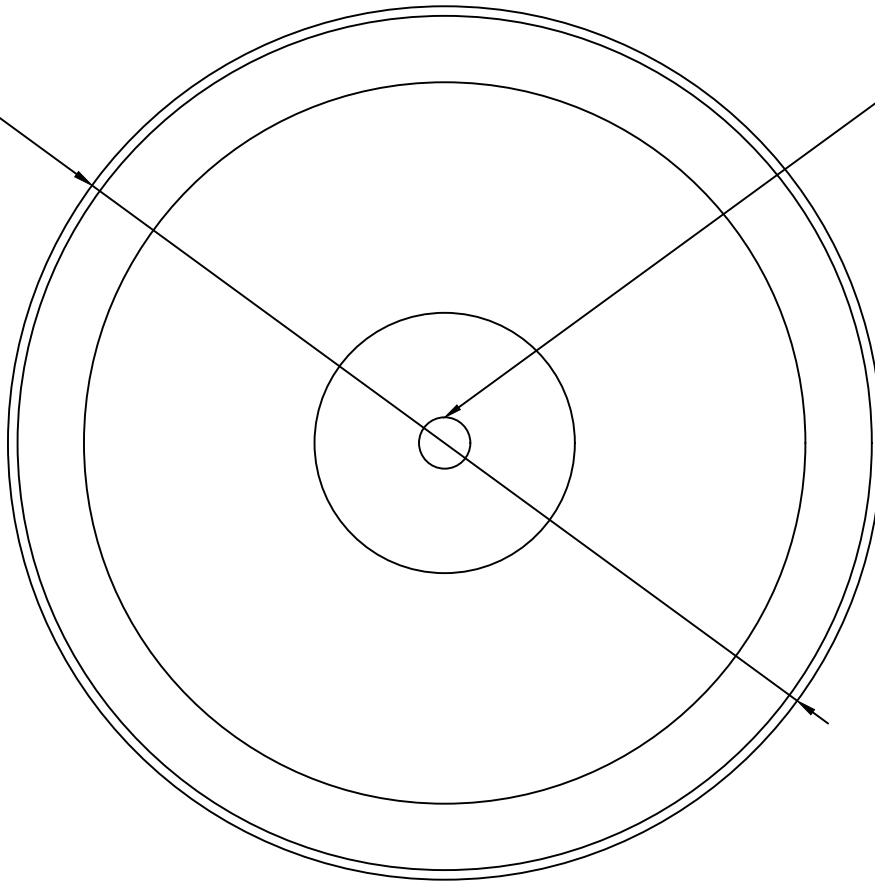


Ø2'-10"

2" DRAIN HOLE



\*\* CONTRACTOR TO VERIFY ALL DIMENSIONS

# GEORGIA PRECAST SOLUTIONS

1324 Southern Road Morrow, GA 30260  
Phone: (770) 690.6797 Fax: (770) 960.6779

MODEL:  
**LISBON**

SIZE:  
**34 X 14**

DWN BY: GGG  
DATE: 01/21/2017