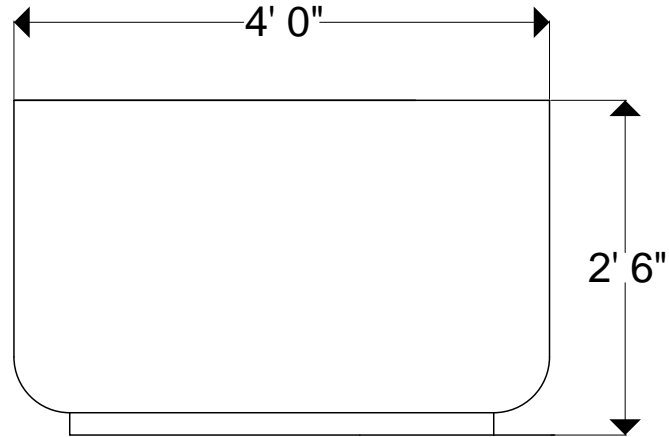
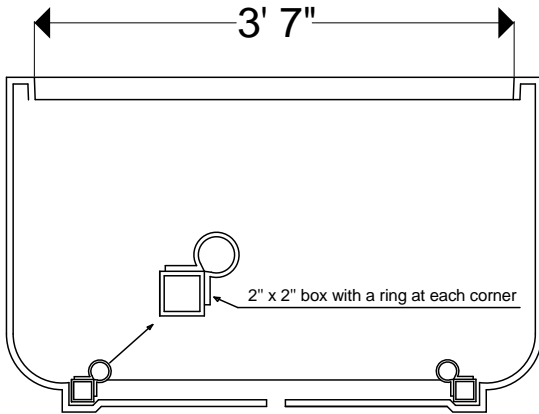
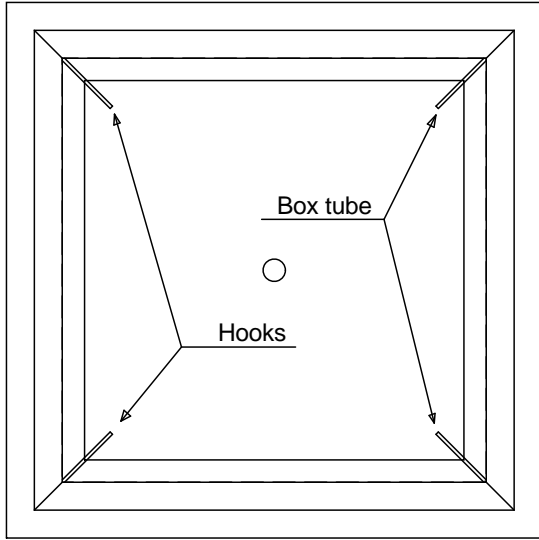


****CONTRACTOR TO VERIFY ALL DIMENSIONS**



REVISIONS		NO.	DATE	BY
JOB TITLE:		Traditional Square		
ARCHITECT:				
SHEET TITLE:				
Georgia Precast Solutions				
1324 Southern rd Morrow GA 30260				
phone 770 960 6704				
Drawn by		CO		
Date				